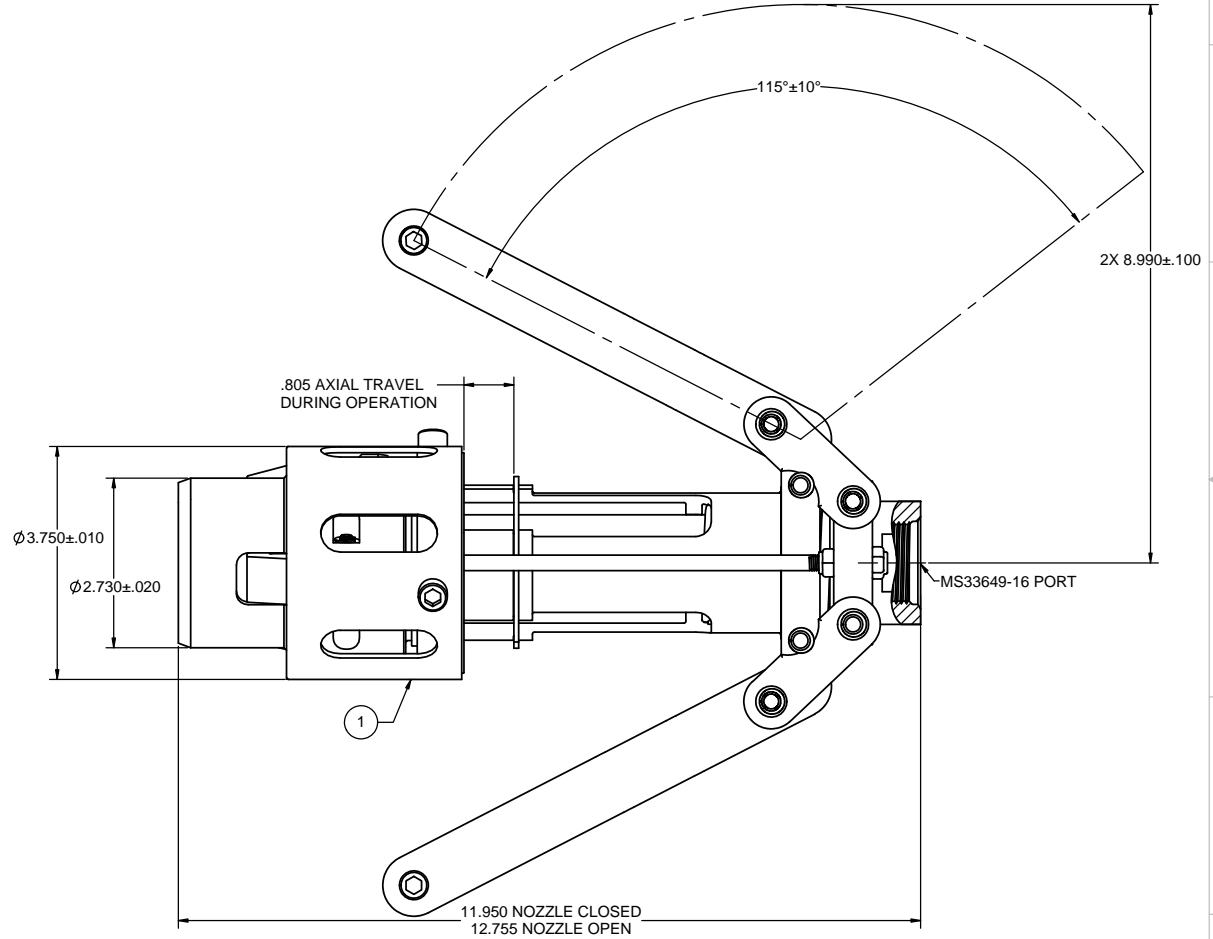
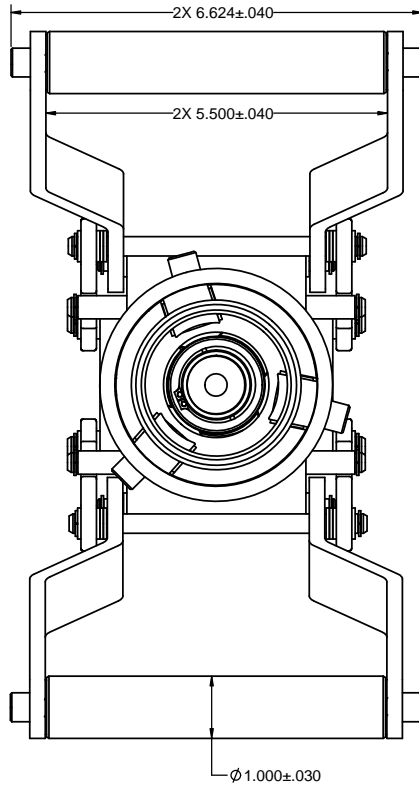


- PERFORMANCE CHARACTERISTICS:
 SERVICE: LNG, LN2
 NOZZLE WEIGHT: 12.2 LB APPROX.
 MAX. WORKING PRESSURE: 500 PSIG
 BURST PRESSURE: 2000 PSIG
 RATED FLOW: 50 GPM
 OPERATING TEMPERATURE: -320°F TO 185°F
 STORAGE TEMPERATURE: -60°F TO 120°F
 LEAKAGE WHILE TRANSFERRING: ZERO
 AVERAGE TIME TO COUPLE: 3 SEC
 AVERAGE TIME TO UNCOUPLE: 2 SEC
 ESTIMATED LIFE CYCLES: 10,000 BETWEEN SERVICE
 NOZZLE CONNECTION: MS33649-16 PORT

- NOZZLE SHALL MEET THE REQUIREMENTS OF ACCEPTANCE TEST PROCEDURE ATP 50E701.
- SERIALIZATION REQUIRED FOR NOZZLE TOP LEVEL MODEL NUMBER. SERIAL NUMBER SEQUENCE SHALL BE IDENTIFIED BY JC CARTER.
- ETCH THE FOLLOWING PART MARKING ON THE LOCKING SLEEVE:

JC CARTER LLC
 CAGE 09LQ9
 MODEL 50E701-1
 SERIAL NO.



REVISIONS					
ZONE	REV	DESCRIPTION	E.O. NO.	DATE	APPROVED

1	QTY REQD	CAGE NO.	PART OR IDENTIFYING NO.	NOMENCLATURE OR DESCRIPTION	REFERENCE OR NOTE	ITEM NO.
		B84402-2		NOZZLE ASSY, LONG HANDLE		1

PARTS LIST		NAME	DATE

UNLESS OTHERWISE SPECIFIED:	
ASSUME DRAWING PER ASME Y14.5	
ASSUME COAT PER ASME Y14.5	
FINISHES ARE TO BE AS SHOWN	
REMOVE ALL BURRS	
REMOVE THREADS TO CLEAR FOR MTS	
WELD TO SPEC 905-015	
PLATE TO SPEC 905-015	

END ITEM	END ITEM
NEXT ASSY	USED ON
APPLICATION	DO NOT SCALE DRAWING

CAGE CODE	09LQ9
SCALE	1:1
TITLE	NOZZLE, 50 GPM, LONG HANDLE
SIZE	D
DWG. NO.	50E701-1
REV	B
SHEET	1 OF 1

PROPRIETARY AND CONFIDENTIAL
 THE INFORMATION CONTAINED IN THIS DRAWING IS THE SOLE PROPERTY OF JC CARTER LLC. ANY REPRODUCTION IN WHOLE OR IN PART WITHOUT THE WRITTEN PERMISSION OF JC CARTER LLC IS PROHIBITED.

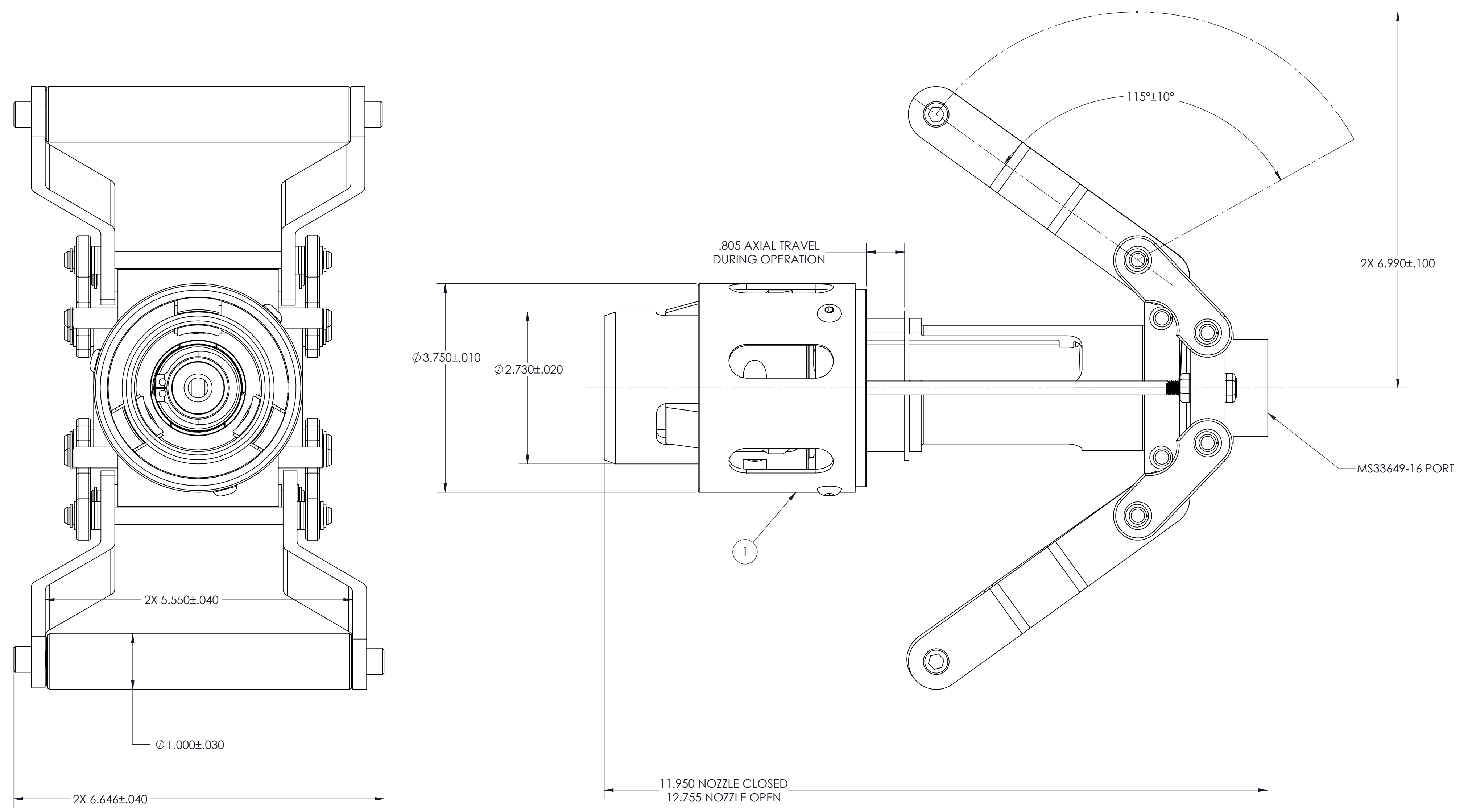
JC Carter 471 West 17th Street Bldg 10 Costa Mesa, CA 92627 USA

NOTES: (UNLESS OTHERWISE SPECIFIED)

- PERFORMANCE CHARACTERISTICS:
 SERVICE: LNG, LN2
 NOZZLE WEIGHT: 12.2 LB APPROX.
 MAX. WORKING PRESSURE: 500 PSIG
 BURST PRESURE: 2000 PSIG
 RATED FLOW: 50 GPM
 OPERATING TEMPERATURE: -320 ° F TO 185 ° F
 STORAGE TEMPERATURE: -60 ° F TO 120 ° F
 LEAKAGE WHILE TRANSFERRING: ZERO
 AVERAGE TIME TO COUPLE: 3 SEC
 AVERAGE TIME TO UNCOUPLE: 2 SEC
 ESTIMATED LIFE CYCLES: 10,000 BETWEEN SERVICE
 NOZZLE CONNECTION: MS33649-16 PORT
- NOZZLE SHALL MEET THE REQUIREMENTS OF ACCEPTANCE TEST PROCEDURE ATP 50E701.
- SERIALIZATION REQUIRED FOR NOZZLE TOP LEVEL MODEL NUMBER. SERIAL NUMBER SEQUENCE SHALL BE IDENTIFIED BY JC CARTER.
- PERMANENTLY MARK THE FOLLOWING ON THE LOCKING SLEEVE:

 JC CARTER LLC
 CAGE 09LQ9
 MODEL 50E701-2
 SERIAL NO.
- OPTIONAL SAE 37° FLARE INSTALLATION KITS:
 P/N B91546-1 CRES ADAPTER
 P/N B91546-3 BRASS ADAPTER

REVISIONS					
ZONE	REV.	DESCRIPTION	E.O. NO.	DATE	APPROVED



QTY.	PartNo	PartName	ITEM NO.
1	93245-1	NOZZLE ASSY, SHORT HANDLE	1

NAME	DATE
J. KIDWELL	06/11/14
M. CARABOTTA	06/16/14
M. KROGH	06/16/14
D. BERGAN	06/16/14
R. HENFLING	06/17/14

END ITEM	END ITEM	END ITEM
BREAK EDGES .010-.015	FILLET .005-.008 R	DO NOT SCALE DRAWING

SCALE	REF	SHEET
1:2	50E701	1 OF 1