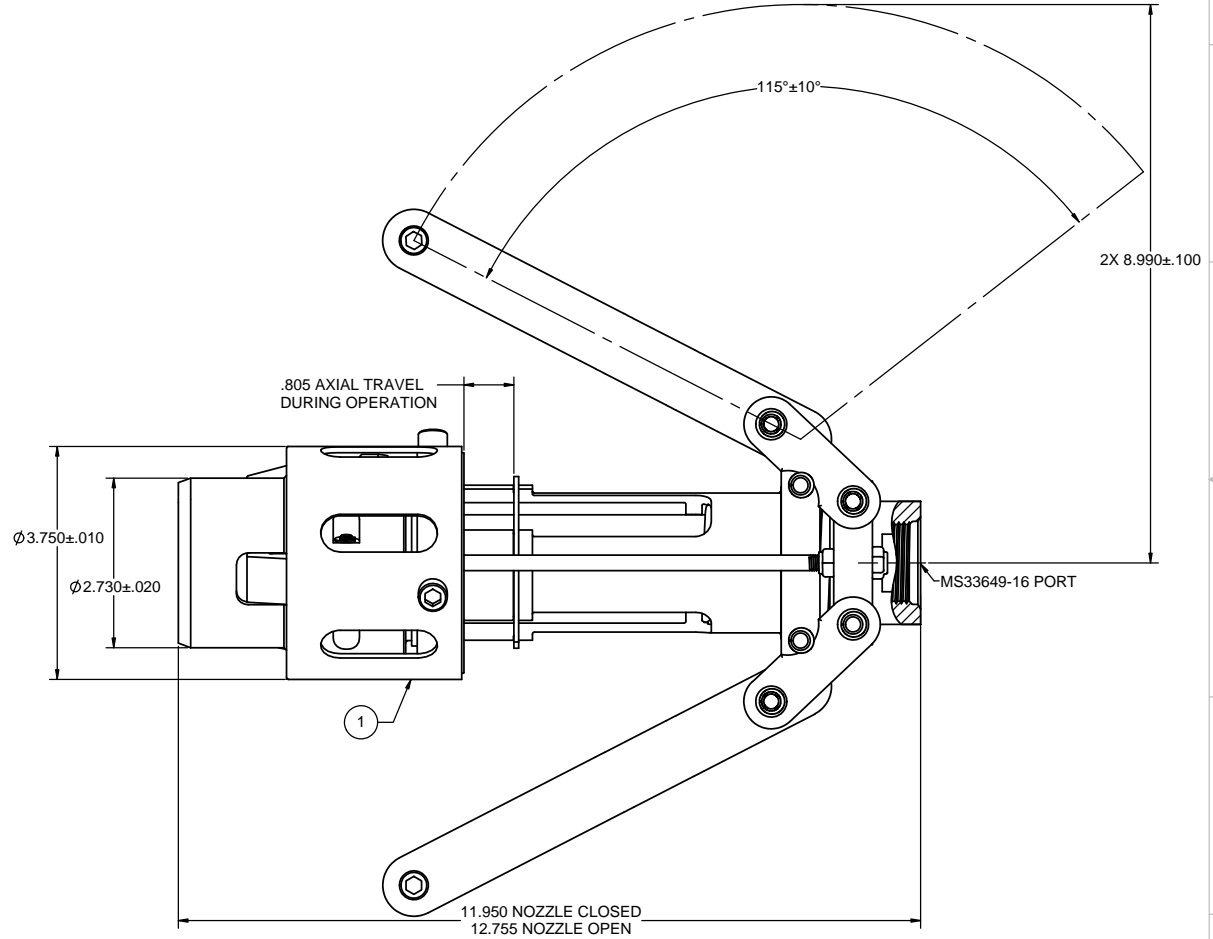
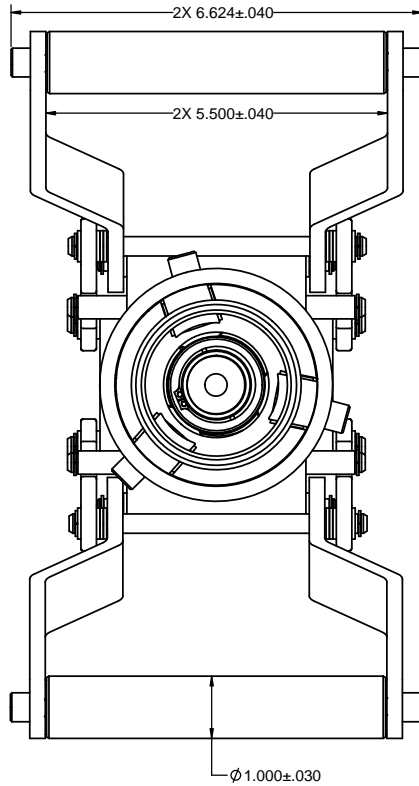


- PERFORMANCE CHARACTERISTICS:  
 SERVICE: LNG, LN2  
 NOZZLE WEIGHT: 12.2 LB APPROX.  
 MAX. WORKING PRESSURE: 500 PSIG  
 BURST PRESSURE: 2000 PSIG  
 RATED FLOW: 50 GPM  
 OPERATING TEMPERATURE: -320°F TO 185°F  
 STORAGE TEMPERATURE: -60°F TO 120°F  
 LEAKAGE WHILE TRANSFERRING: ZERO  
 AVERAGE TIME TO COUPLE: 3 SEC  
 AVERAGE TIME TO UNCOUPLE: 2 SEC  
 ESTIMATED LIFE CYCLES: 10,000 BETWEEN SERVICE  
 NOZZLE CONNECTION: MS33649-16 PORT

- NOZZLE SHALL MEET THE REQUIREMENTS OF ACCEPTANCE TEST PROCEDURE ATP 50E701.
- SERIALIZATION REQUIRED FOR NOZZLE TOP LEVEL MODEL NUMBER. SERIAL NUMBER SEQUENCE SHALL BE IDENTIFIED BY JC CARTER.
- ETCH THE FOLLOWING PART MARKING ON THE LOCKING SLEEVE:

JC CARTER LLC  
 CAGE 09LQ9  
 MODEL 50E701-1  
 SERIAL NO.



REVISIONS					
ZONE	REV	DESCRIPTION	E.O. NO.	DATE	APPROVED

1	QTY REQD	CAGE NO.	PART OR IDENTIFYING NO.	NOMENCLATURE OR DESCRIPTION	REFERENCE OR NOTE	ITEM NO.
		B84402-2		NOZZLE ASSY, LONG HANDLE		1

PARTS LIST	
NAME	DATE

UNLESS OTHERWISE SPECIFIED:	
ASSUME DRAWING PER ASME Y14.5	
ASSUME COAT PER ASME Y14.5	
FINISHES ARE PER ASME Y14.5	
REMOVE ALL BURRS	
REMOVE FROM STOCK UNLESS NOTED	
WELD TO SPEC 901-015	
PLATE TO SPEC 901-016	

PROPRIETARY AND CONFIDENTIAL	
THE INFORMATION CONTAINED IN THIS DRAWING IS THE SOLE PROPERTY OF JC CARTER LLC. ANY REPRODUCTION IN WHOLE OR IN PART WITHOUT THE WRITTEN PERMISSION OF JC CARTER LLC IS PROHIBITED.	

END ITEM	END ITEM
NEXT ASSY	USED ON
APPLICATION	DO NOT SCALE DRAWING

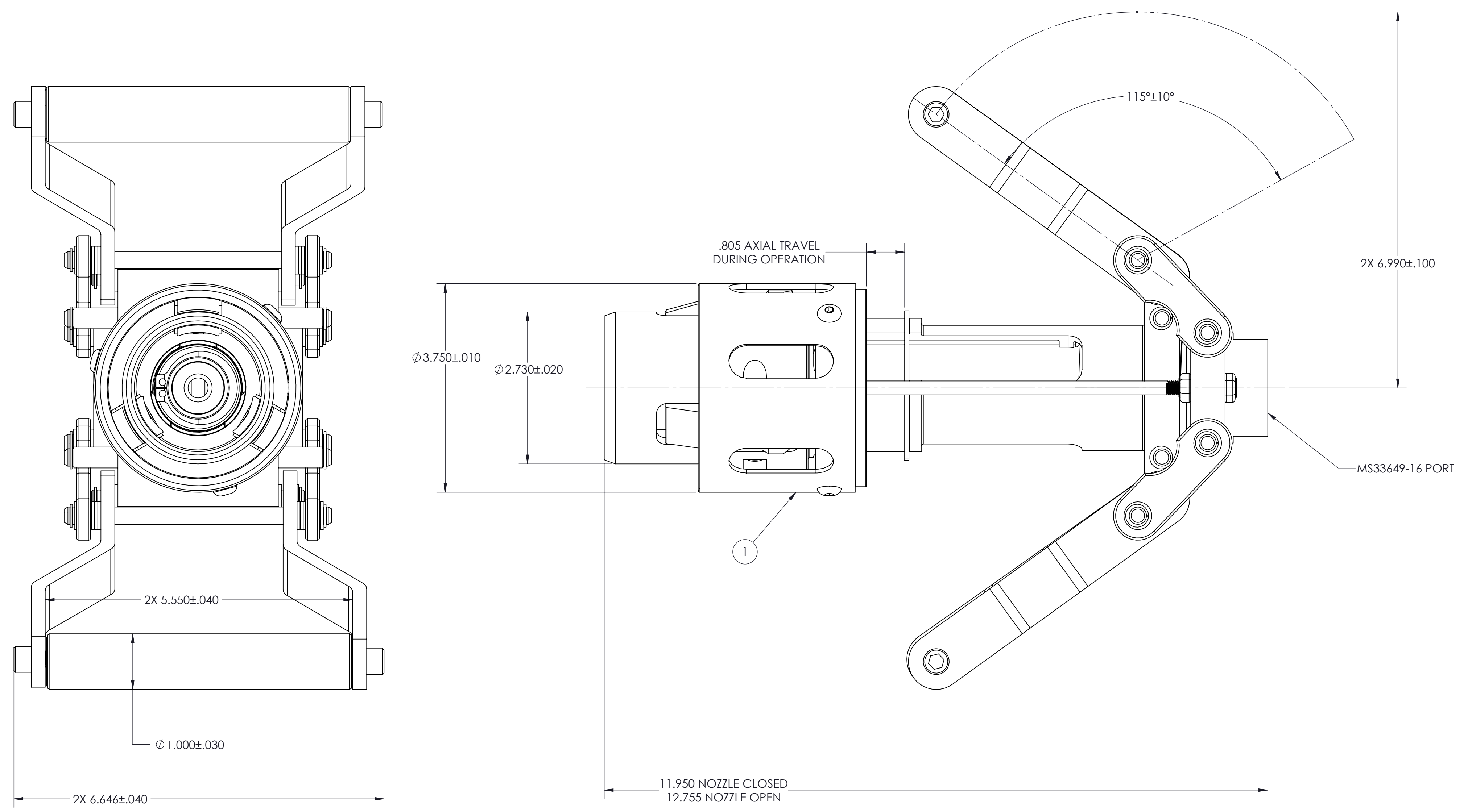
CAGE CODE	09LQ9
SCALE	1:1
TITLE	NOZZLE, 50 GPM, LONG HANDLE
SIZE	D
DWG. NO.	50E701-1
REV	B
SHEET	1 OF 1

D 50E701-1

NOTES: (UNLESS OTHERWISE SPECIFIED)

- PERFORMANCE CHARACTERISTICS:  
 SERVICE: LNG, LN2  
 NOZZLE WEIGHT: 12.2 LB APPROX.  
 MAX. WORKING PRESSURE: 500 PSIG  
 BURST PRESURE: 2000 PSIG  
 RATED FLOW: 50 GPM  
 OPERATING TEMPERATURE: -320 ° F TO 185 ° F  
 STORAGE TEMPERATURE: -60 ° F TO 120 ° F  
 LEAKAGE WHILE TRANSFERRING: ZERO  
 AVERAGE TIME TO COUPLE: 3 SEC  
 AVERAGE TIME TO UNCOUPLE: 2 SEC  
 ESTIMATED LIFE CYCLES: 10,000 BETWEEN SERVICE  
 NOZZLE CONNECTION: MS33649-16 PORT
- NOZZLE SHALL MEET THE REQUIREMENTS OF ACCEPTANCE TEST PROCEDURE ATP 50E701.
- SERIALIZATION REQUIRED FOR NOZZLE TOP LEVEL MODEL NUMBER. SERIAL NUMBER SEQUENCE SHALL BE IDENTIFIED BY JC CARTER.
- PERMANENTLY MARK THE FOLLOWING ON THE LOCKING SLEEVE:  
  
 JC CARTER LLC  
 CAGE 09LQ9  
 MODEL 50E701-2  
 SERIAL NO.
- OPTIONAL SAE 37° FLARE INSTALLATION KITS:  
 P/N B91546-1 CRES ADAPTER  
 P/N B91546-3 BRASS ADAPTER

REVISIONS					
ZONE	REV.	DESCRIPTION	E.O. NO.	DATE	APPROVED



QTY.	PartNo	PartName	ITEM NO.
1	93245-1	NOZZLE ASSY, SHORT HANDLE	1

NAME	DATE
J. KIDWELL	06/11/14
M. CARABOTTA	06/16/14
M. KROSH	06/16/14
D. BERGAN	06/16/14
R. HENFLING	06/17/14

END ITEM	END ITEM	END ITEM	END ITEM
END ITEM	END ITEM	END ITEM	END ITEM

APPLICATION	DO NOT SCALE DRAWING
APPLICATION	DO NOT SCALE DRAWING

UNLESS OTHERWISE SPECIFIED:	NAME	DATE
INTERPRET DRAWING PER ASME Y14.100	J. KIDWELL	06/11/14
INTERPRET GD&T PER ASME Y14.5-1994	M. CARABOTTA	06/16/14
DRAWINGS ARE IN INCHES	M. KROSH	06/16/14
REMOVE ALL DIMS	D. BERGAN	06/16/14
SURFACE FINISH: 125 MICRO INCHES	R. HENFLING	06/17/14
BREAK EDGES: .001-.015		
FILLET: .001-.001 R		

THE INFORMATION CONTAINED IN THIS DRAWING IS THE SOLE PROPERTY OF JC CARTER LLC. ANY REPRODUCTION IN PART OR AS A WHOLE WITHOUT THE WRITTEN PERMISSION OF JC CARTER LLC IS PROHIBITED.		COSTA MESA, CA 92627 USA TITLE: <b>NOZZLE, 50 GPM, SHORT HANDLE</b> SIZE DWG. NO. <b>D 50E701-2</b> SCALE: 1:2 REF: 50E701 SHEET 1 OF 1
--	--	--